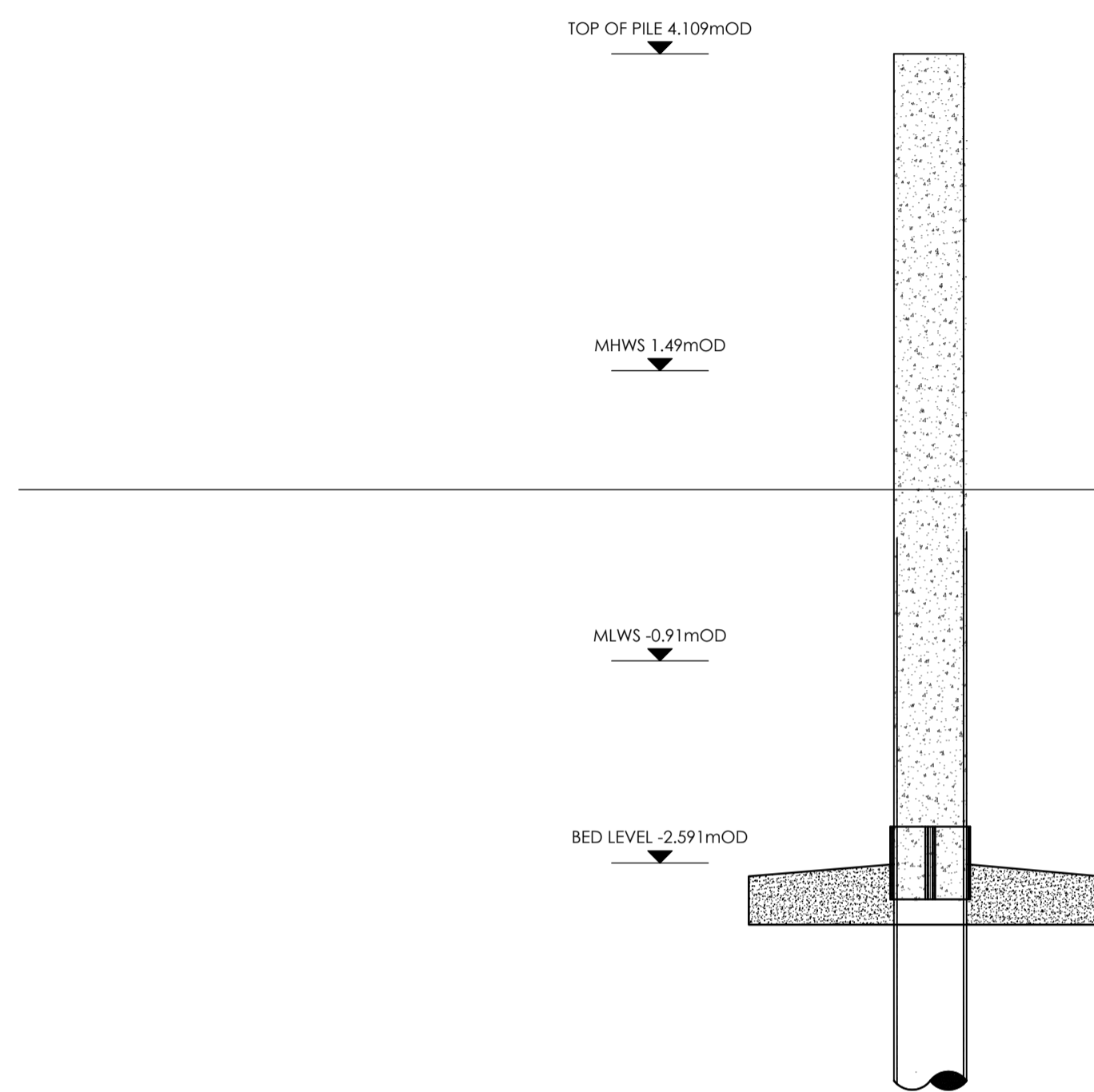
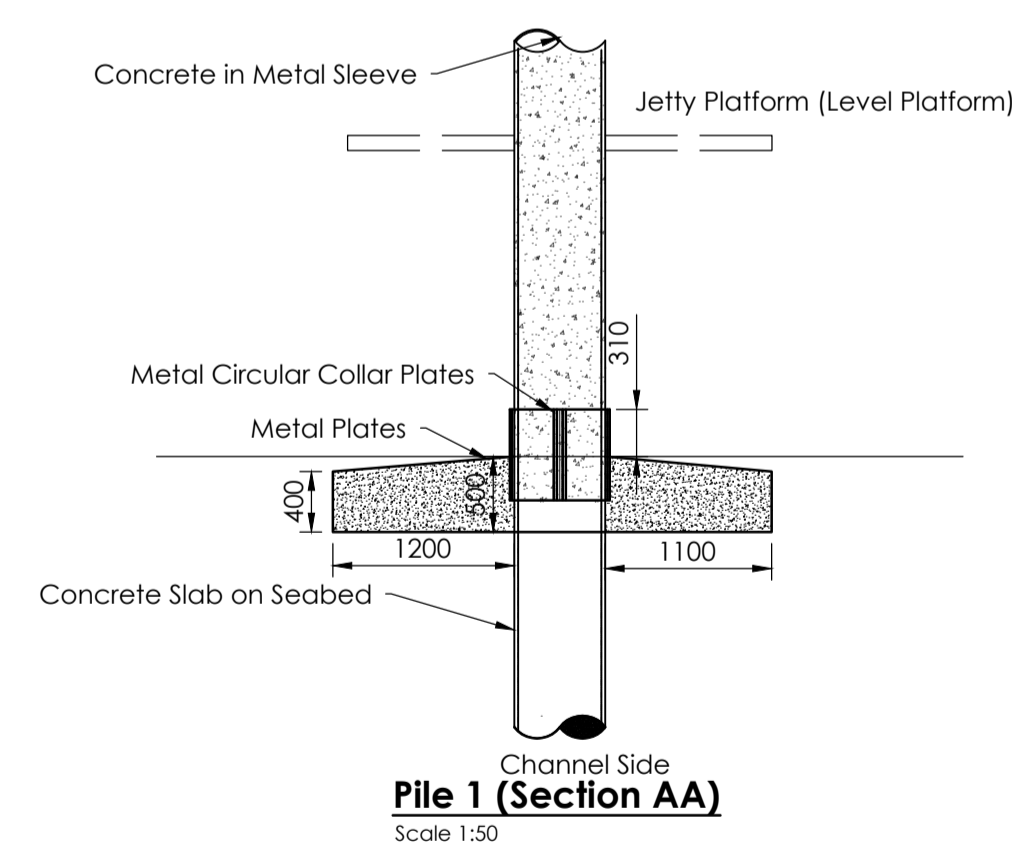
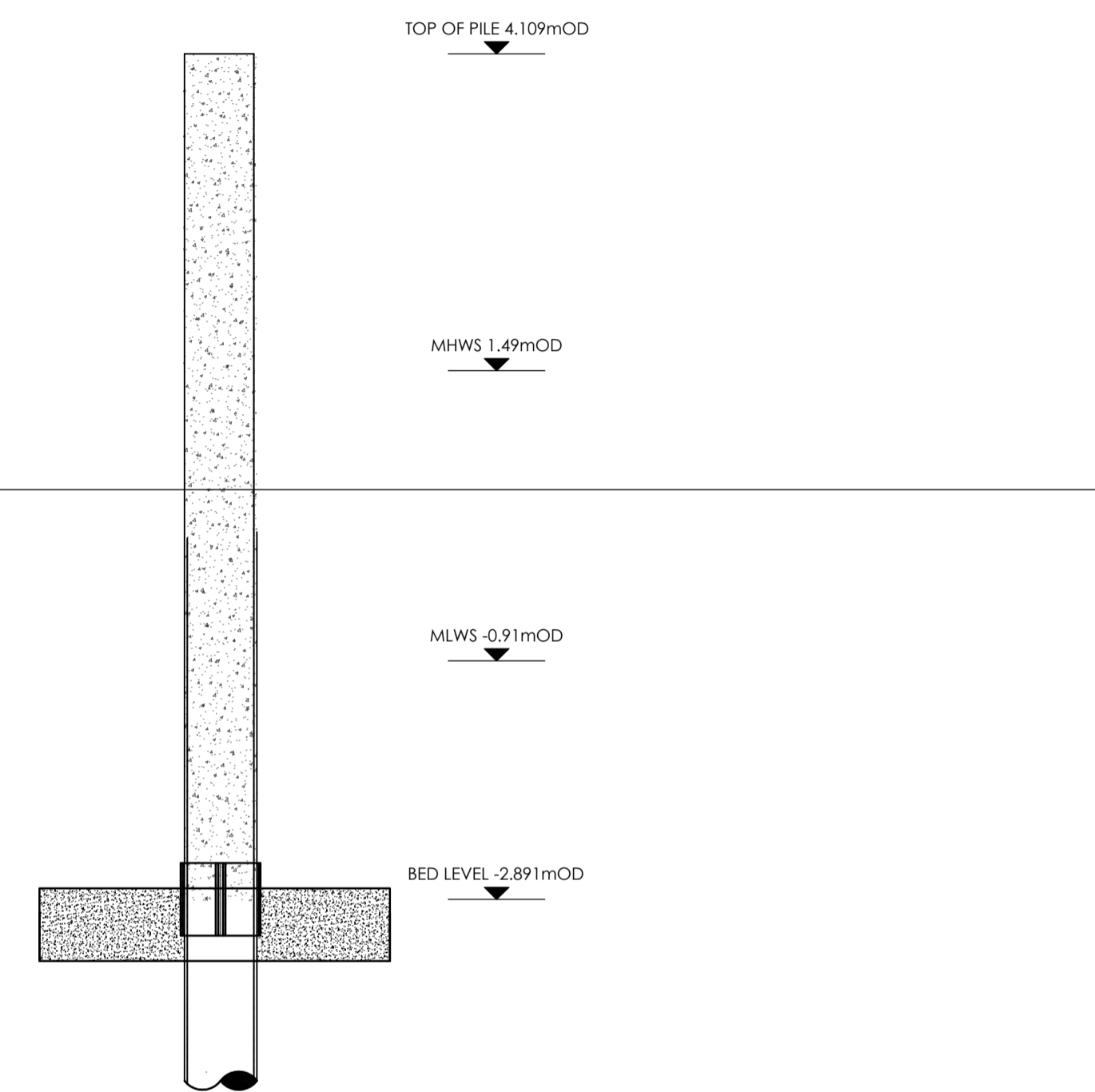


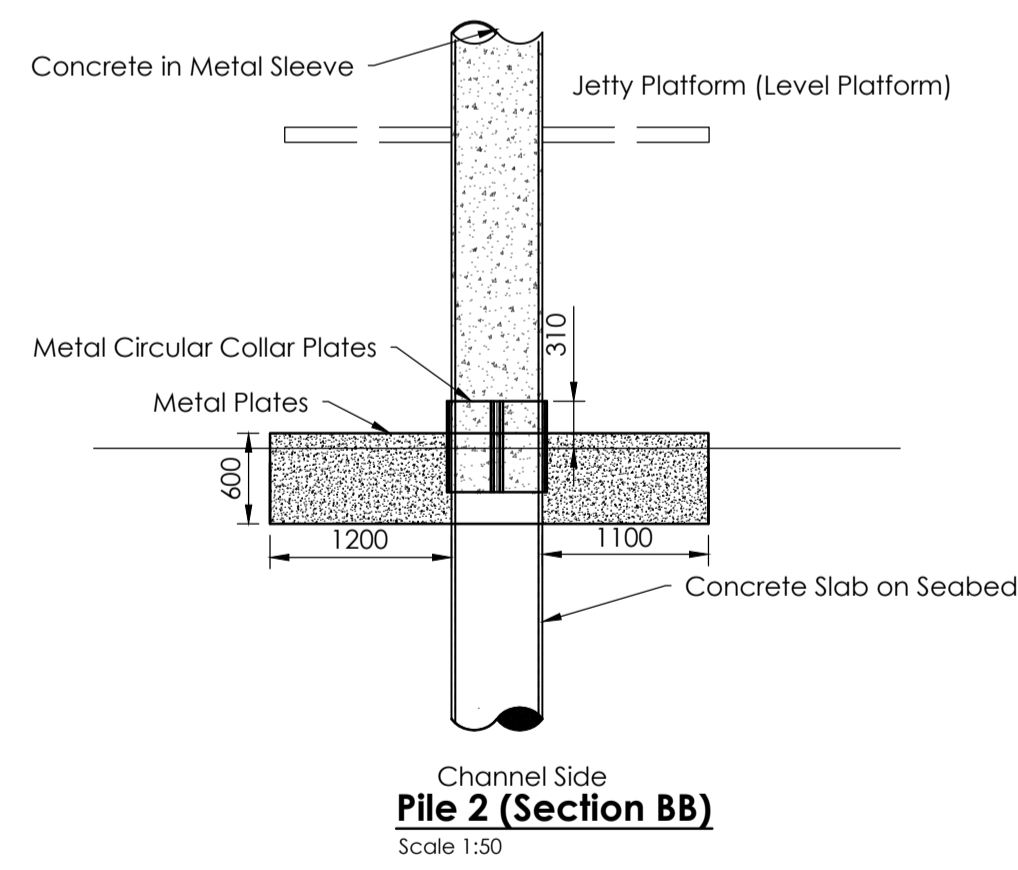
Jetty Plan View
Scale 1:50



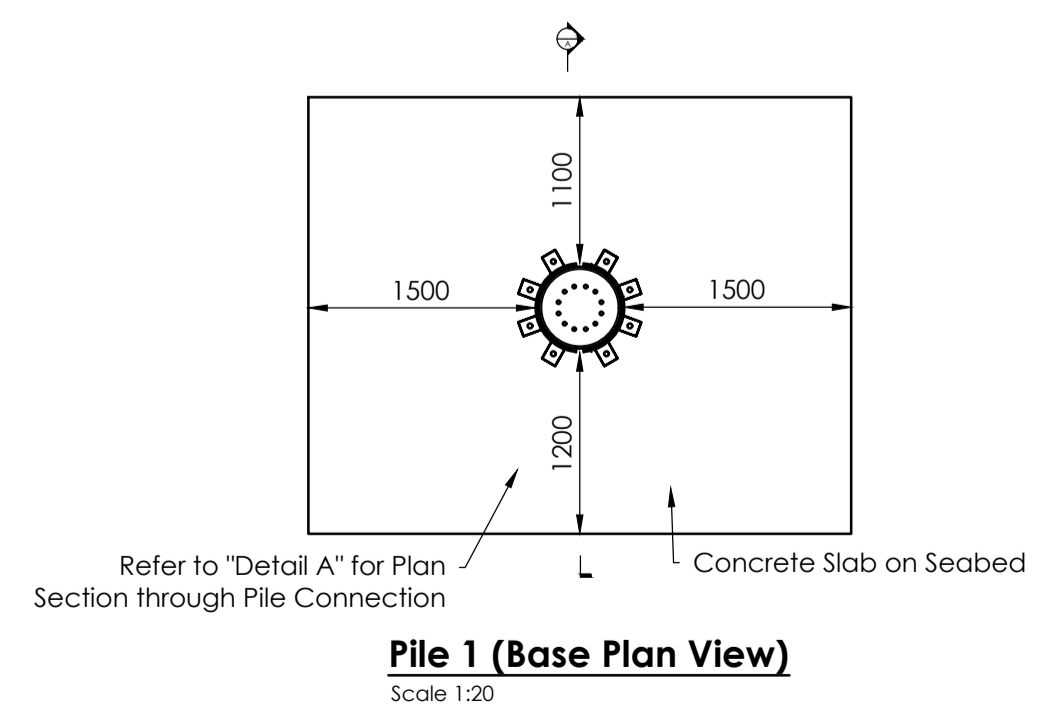
Jetty Elevation View
Scale 1:50



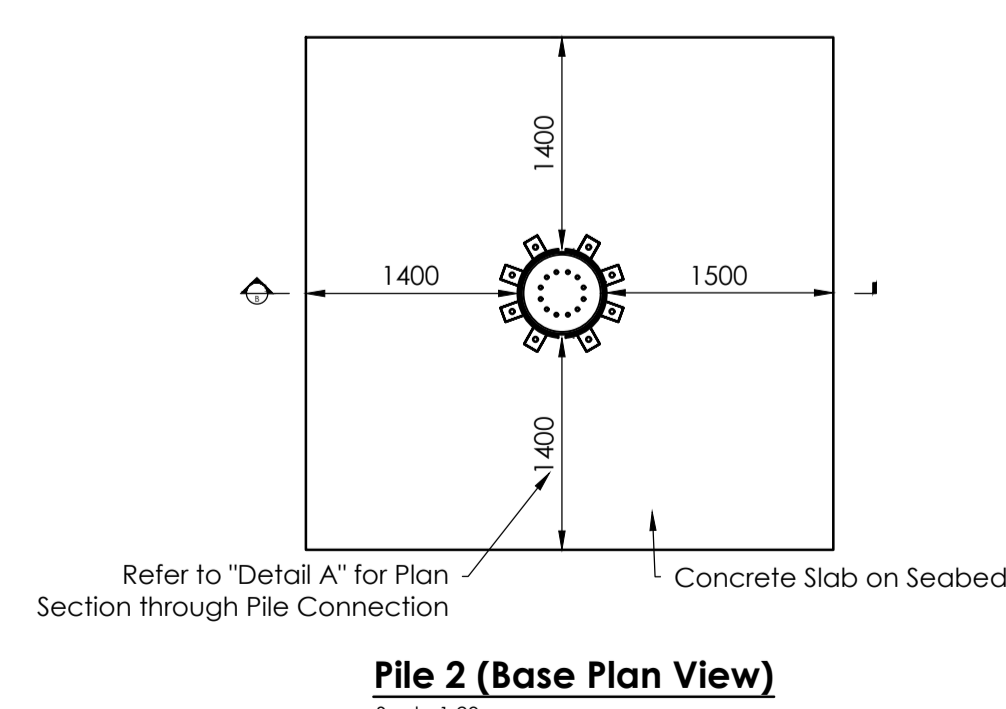
Pile 1 (Section AA)
Scale 1:50



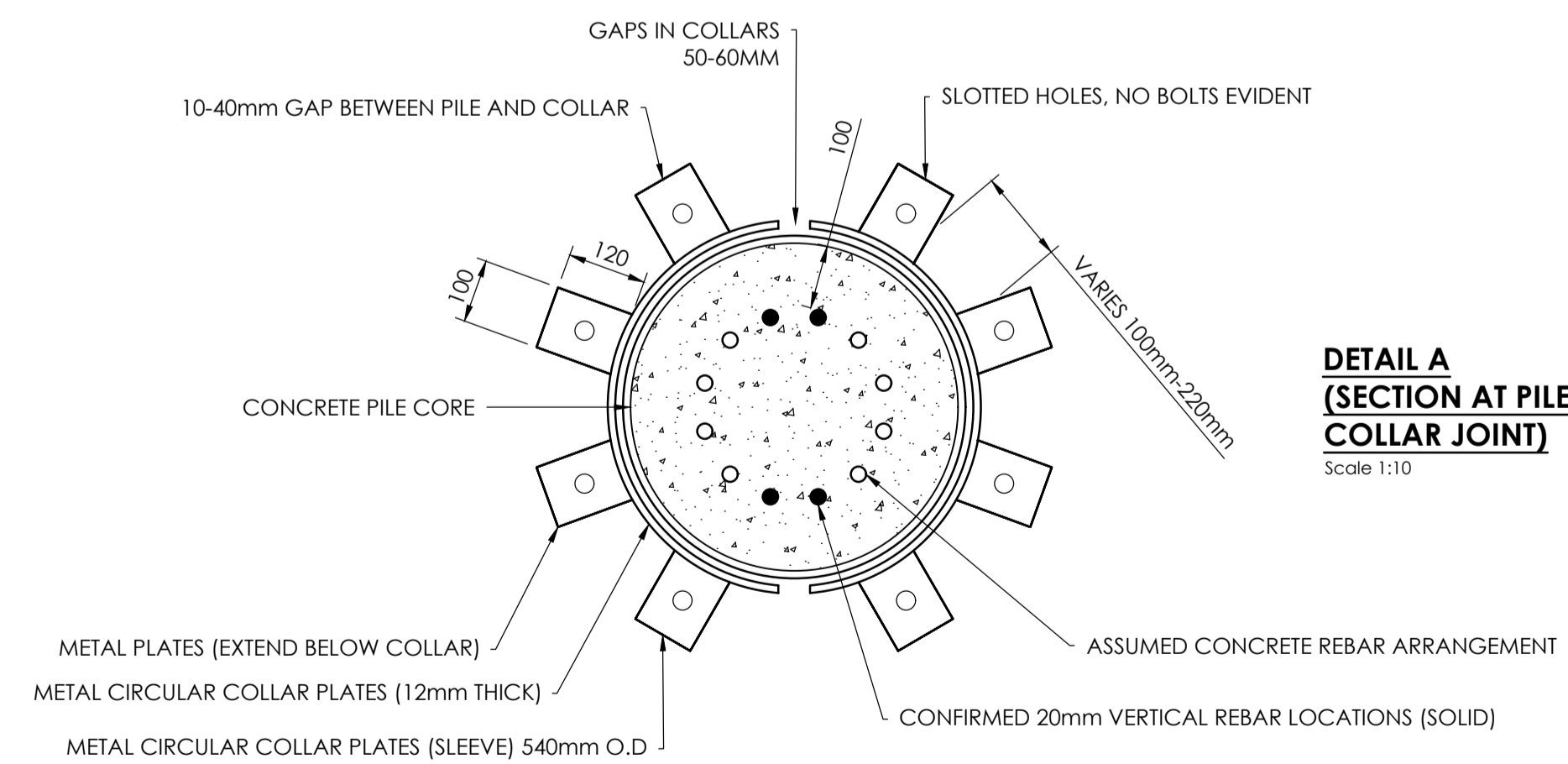
Pile 2 (Section BB)
Scale 1:50



Pile 1 (Base Plan View)
Scale 1:20



Pile 2 (Base Plan View)
Scale 1:20



DETAIL A
(SECTION AT PILE COLLAR JOINT)
Scale 1:10

Rev	Date	Drawn By	Appr. By	Description



25 Crescent Business Park, Lisburn, Co. Antrim, BT28 2GN

Project
SLYC Pontoon Piles

Drawing Title
10002 - Existing Pile Details

Scale(s) @ A1 As Shown
Drawn By [Redacted]
Date Drawn 2/18/2024

Status
S Structural

AMP Project No.
160-AMP-01

Drawing Reference

Project	Company	Zone	Level	Type	Disc.	Number	Revision
160	- AMP	- XX	- 01	- DR	- S	- 10002	- 01