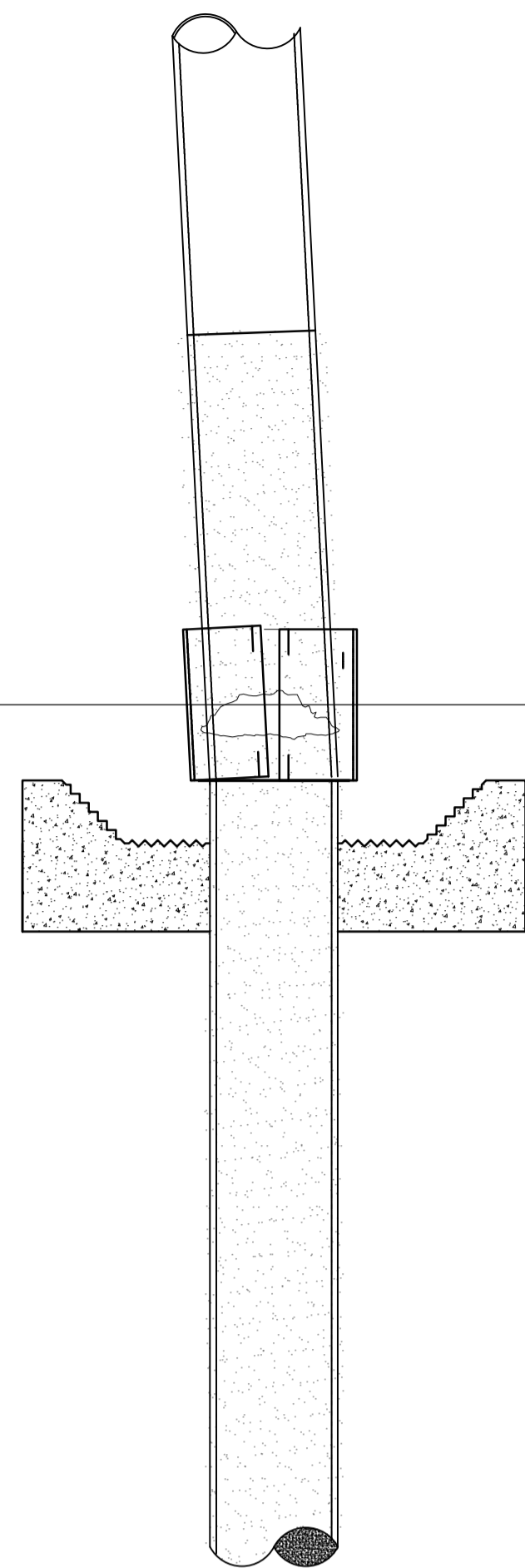


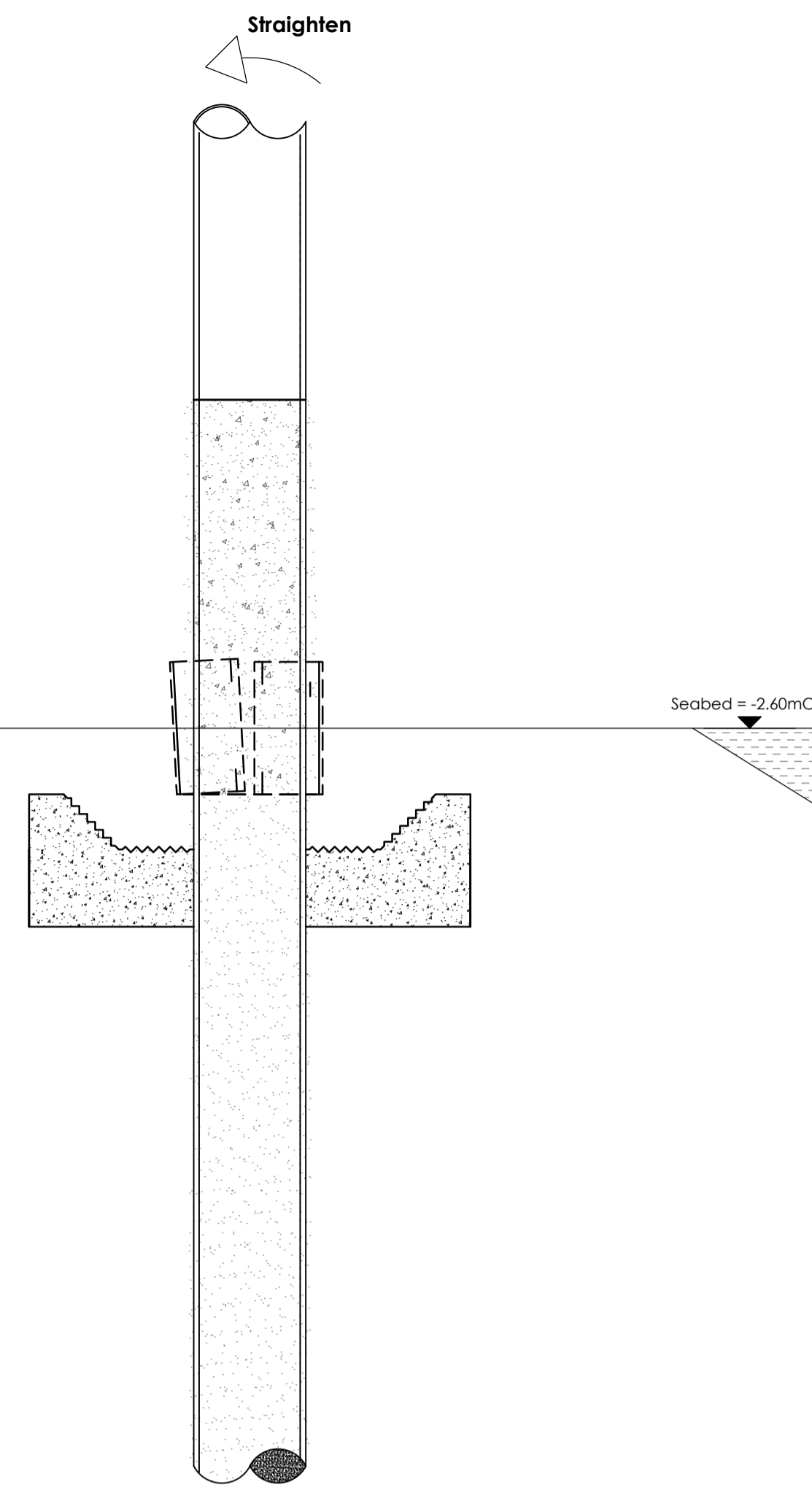
Step 1

- CAREFULLY REMOVE TOP LAYER OF FRIABLE CONCRETE VIA AIRLIFT TO EXPOSE EXISTING COLLAR. APPROX 200MM DEPTH OF MATERIAL TO BE REMOVED AND PLACED BESIDE PILE
- CLEAN WASTE PILE + BASKET



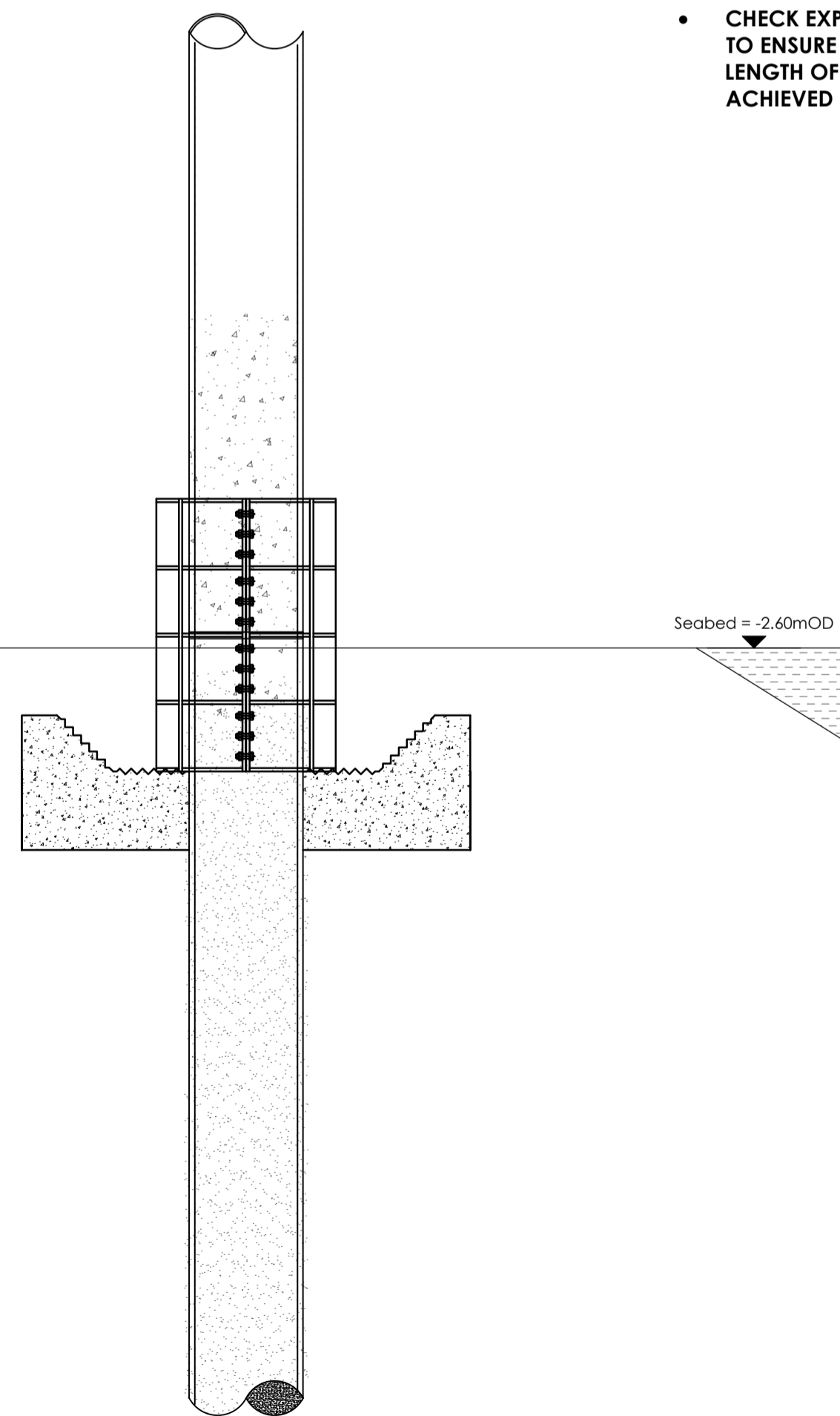
Step 2

- CHECK EXPOSED LENGTH OF PILE TO ENSURE REQUIRED BEARING LENGTH OF NEW JACKET IS ACHIEVED



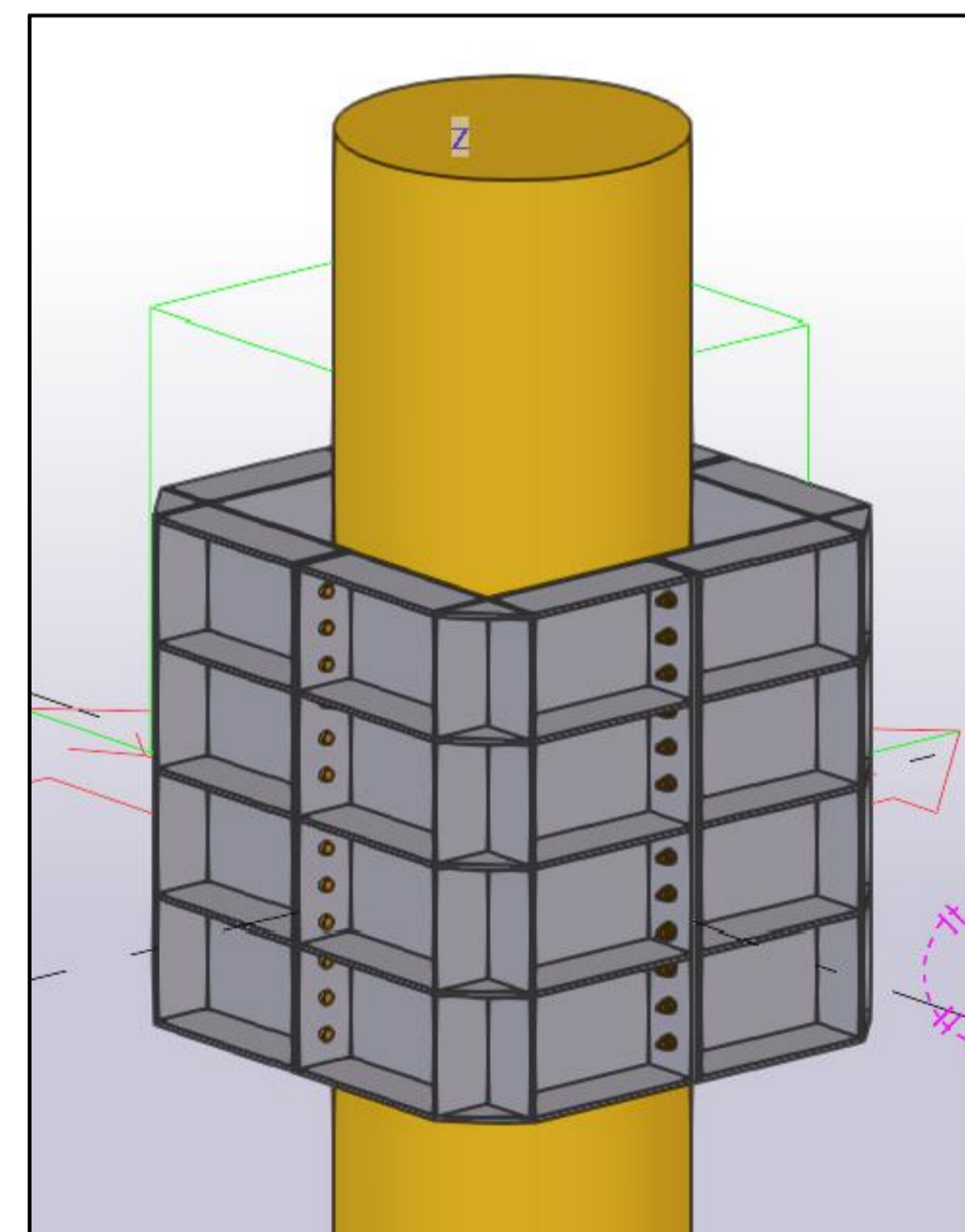
Step 3

- STRAIGHTEN TOP SECTION OF PILE WITH JACK-UP BARGE AND SECURE IN POSITION
- REMOVE EXISTING BRACKET



Step 4

- INSTALL NEW BRACKET & FULLY GROUT
- ADDITION OF BOLT ON ANODES



Bracket 3D Detail

Rev Date Drawn By Appr. By Description

AMPHORA
CONSULTING

25 Crescent Business
Park, Lisburn, Co. Antrim,
BT28 2GN

Project
SLYC Pontoon Piles

Drawing Title
20003 - Proposal Pontoon Pile Construction Sequence

Scale(s) @ A1 1:20
Drawn By [Redacted] Date Drawn 2/18/2024

Status
S Structural

AMP Project No.
160-AMP-01

Drawing Reference
Project Company Zone Level Type Disc. Number Revision
160 - AMP - XX - 01 - DR - S - 20003 - 02