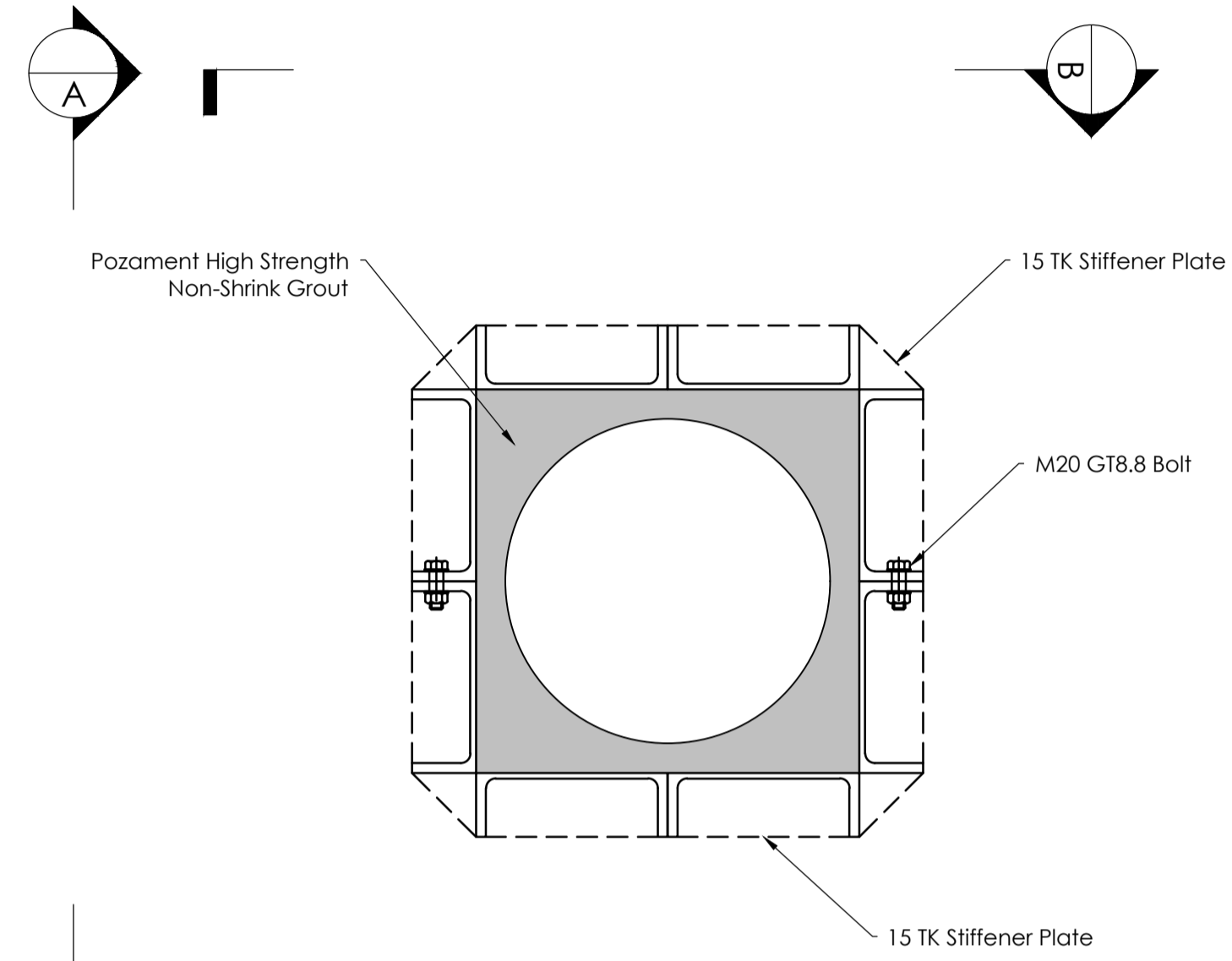
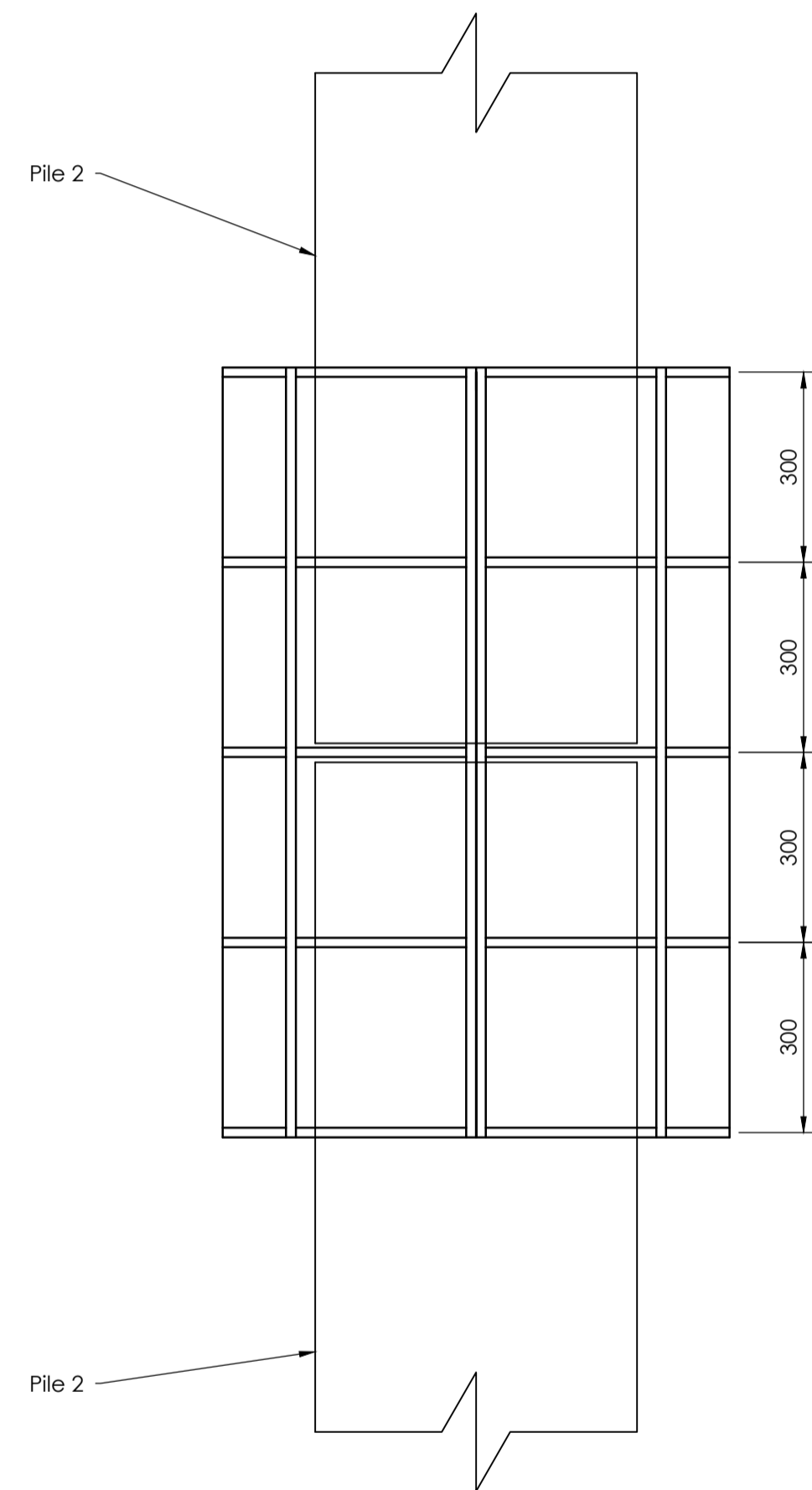
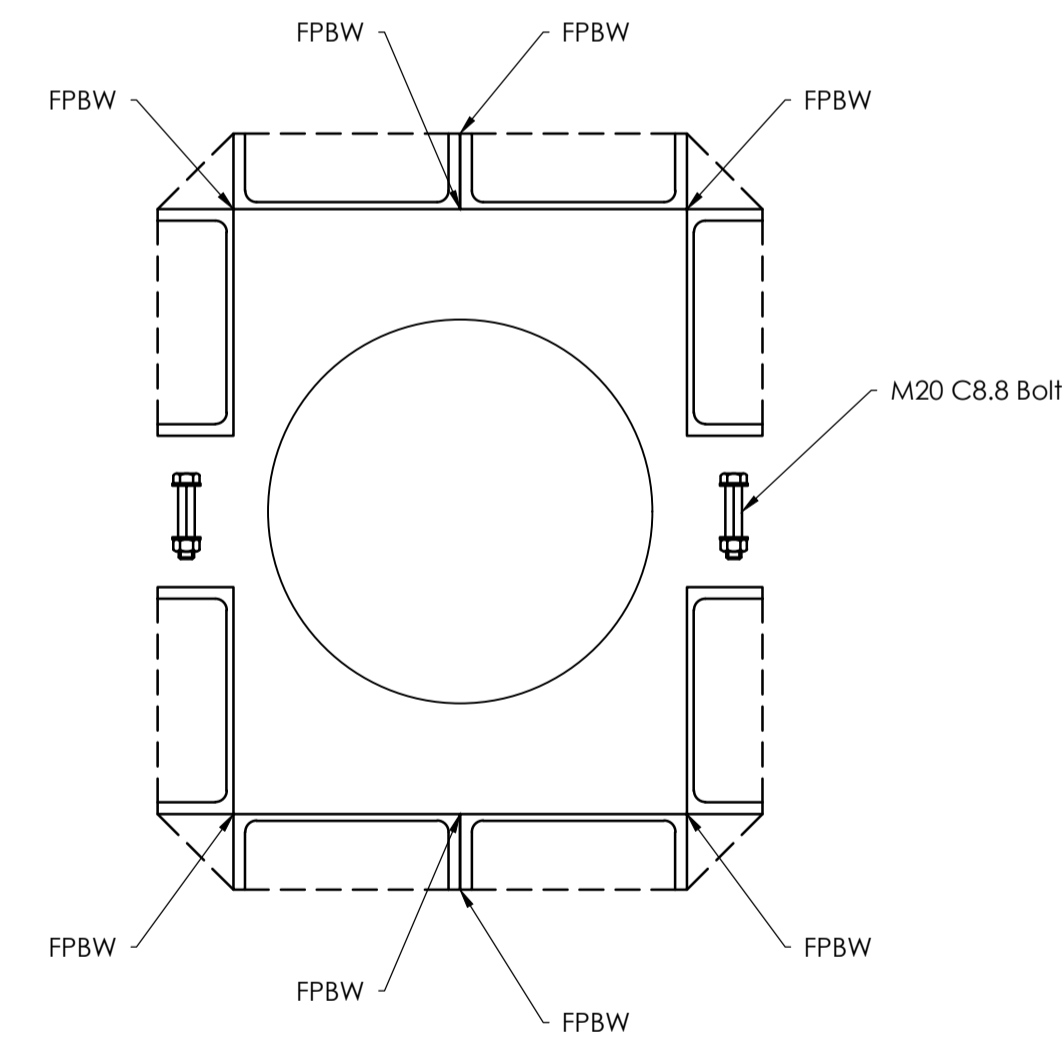


**Steel Jacket (Section AA)**  
Scale 1:10



**Steel Jacket (Plan View)**  
Scale 1:10



**Steel Jacket (Detail Plan View)**  
Scale 1:10

Rev Date Drawn By Appr. By Description

**AMPHORA**  
CONSULTING

25 Crescent Business  
Park, Lisburn, Co. Antrim,  
BT28 2GN

**Project**  
SLYC Pontoon Piles

**Drawing Title**  
20005 - Proposed Pontoon Pile Plan & Sections

**Scale(s) @ A1** As Shown **Drawn By** **Date Drawn** 2/18/2024

**Status**  
S Structural

**AMP Project No.**  
160-AMP-01

**Drawing Reference**  
Project Company Zone Level Type Disc. Number Revision  
160 - AMP - XX - 01 - DR - S - 20005 - 01