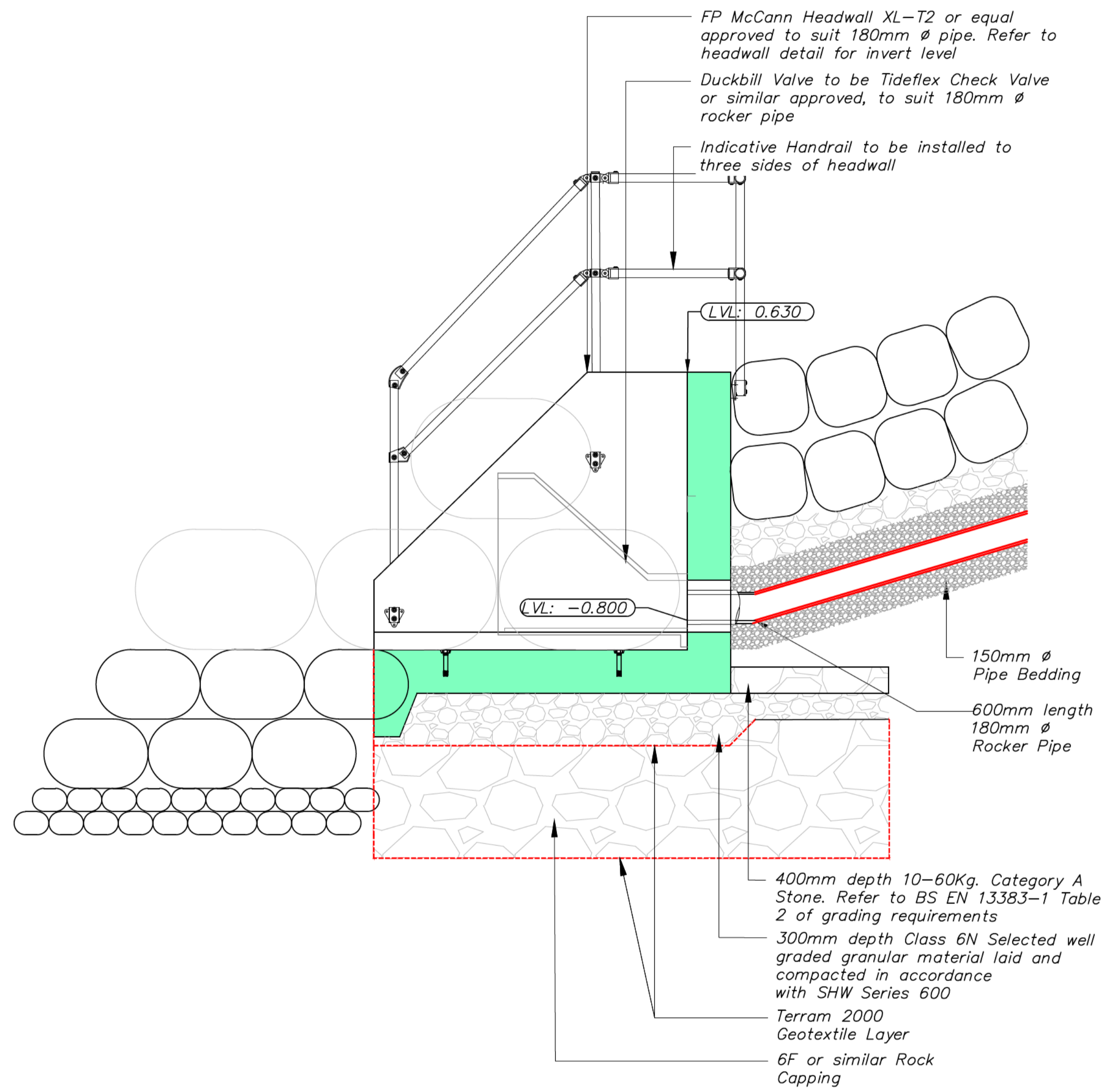
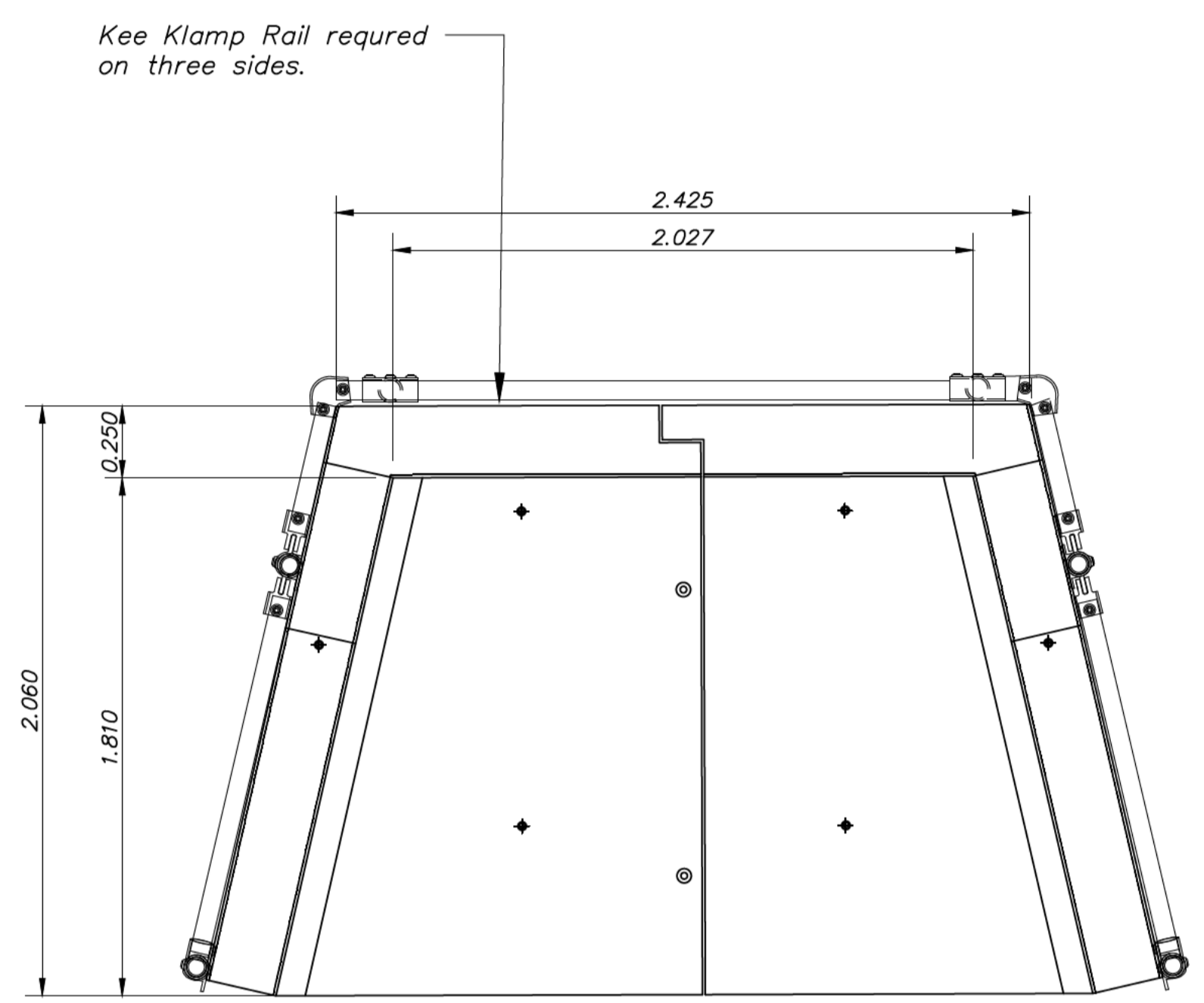


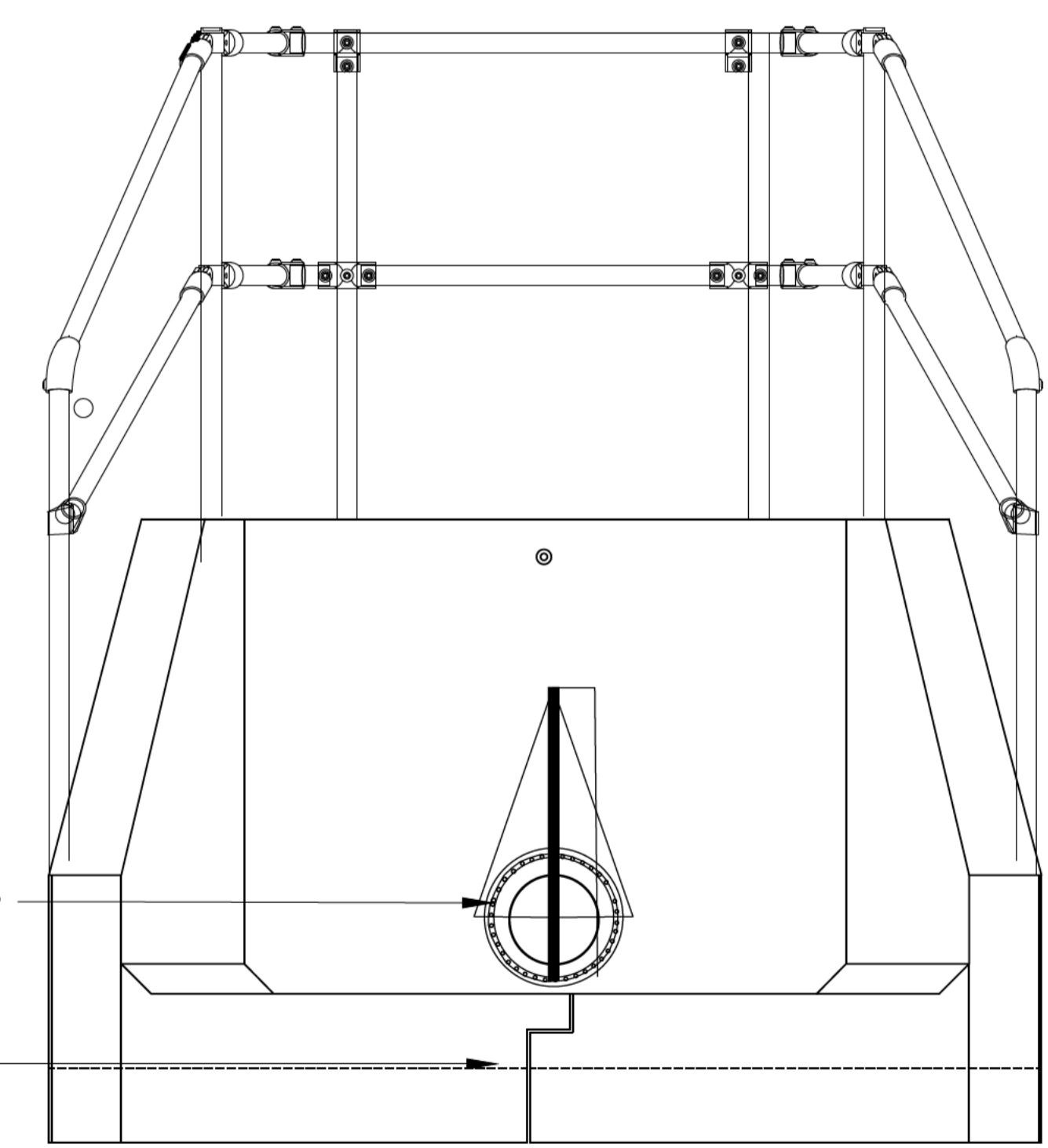
Rev.	Date	By	Check	Details	Appr.



**Typical Headwall Detail**  
1:20



**Headwall Plan View**  
1:20



**Front Elevation**  
1:20

Duckbill Valve to be Tideflex Check Valve or similar approved, to suit 180mm  $\phi$  rocker pipe

FP McCann Headwall XL-T2 or equal approved

**Notes**

- All structural concrete shall be minimum grade C35/40 unless noted otherwise.
- Cement types as defined in BS EN 197-1 shall comprise one of the following:
  - CEM IIB+SR with >66% GGBS
- Maximum size of aggregate to be 20mm
- Reinforcement to be Grade B500B in accordance with BS 4449:2005.
- Cover to Reinforcement shall be 50mm unless noted otherwise.
- All dimensions in mm unless noted otherwise.
- Kee Clamp Safety Railing to be provided to all three sides of headwall



Project Title:  
**Point of Entry – Larne**  
(DC Project Ref: 201101)

Drawing Title:  
**Headwall Construction Details**

Client/Architect:	Status:	S4
Drawn by:	Date:	April 2025
Checked by:	Scales:	As shown
Approved by:	Sheet Size:	A1

Project Number:	Orig.	Zone	Level	Type	Disc.	Number	Revision
DN20	DCL	ZZ	ZZ	DR	C	0002	P01

**Doran CONSULTING**  
DELIVERING ENGINEERING EXCELLENCE

FLAX HOUSE  
83-91 Adelaide Street,  
Belfast, BT2 8FE

T 028 90333443  
E mail@doran.co.uk  
W www.doran.co.uk

**OSTICK + WILLIAMS**

**semple mckillop**  
NATURALLY INNOVATIVE CONSULTING ENGINEERS